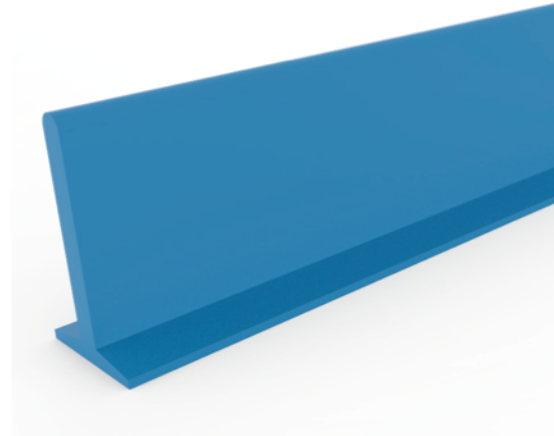
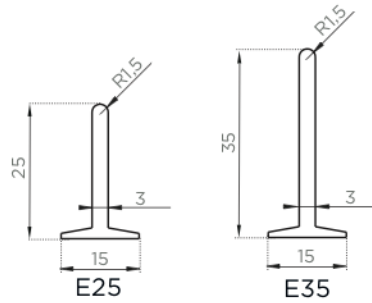




PROFORBELT

E CLEATS PU FDA



The Extrudingskill Cleats cross cleats, easily weldable on PVC or PU based belts, to transport products on horizontal, vertical and inclined conveyors. They grant a perfect flexibility and resistance to abrasion and oils.

Material: **PU FDA**
 Hardness: **SH 85 - 92 A**
 Colour: **BLUE**
 Tolerance: **+/- 3 SHA**



CODE	TYPE	CARRIERBASE		CARRIERHEIGHT		CARRIER ANGLE	MIN. PITCH OF CARRIER TRANSV.		MIN. DRUM FLEXING TRANSV.		(SH A)
		MM	INCH	MM	INCH		MM	INCH	MM	INCH	
520403013944	E25	15	19/32	25	63/64						85
520403013947	E25	15	19/32	25	63/64						92
520403014144	E35	15	19/32	35	1 3/8						85
520403014147	E35	15	19/32	35	1 3/8						92