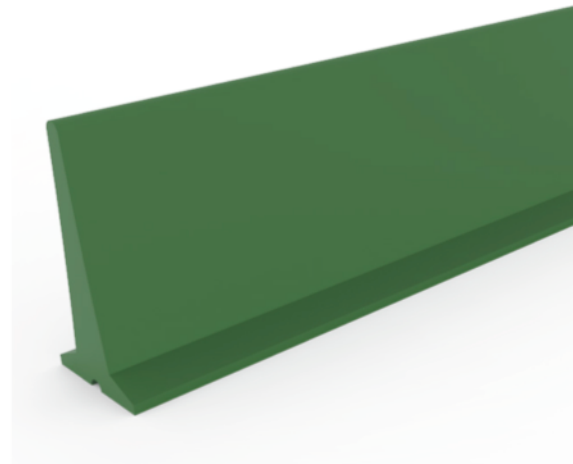
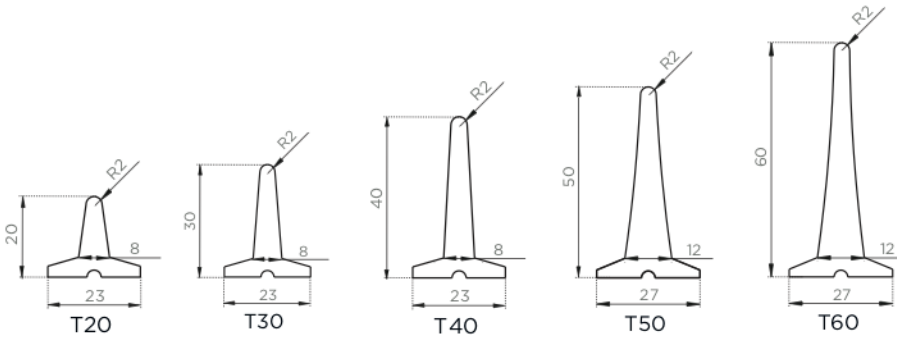




**PROFORBELT**

# T CLEATS PVC



The Extrudingskill Cleats cross cleats, easily weldable on PVC or PU based belts, to transport products on horizontal, vertical and inclined conveyors. They grant a perfect flexibility and resistance to abrasion and oils.

Material: **PVC**  
 Hardness: **SH 63 A**  
 Colour: **GREEN**  
 Tolerance: **+/- 3 SHA**

| CODE                | TYPE       | CARRIERBASE |               | CARRIERHEIGHT |                | CARRIER<br>ANGLE | MIN. PITCH OF<br>CARRIER TRANSV. |      | MIN. DRUM<br>FLEXING TRANSV. |      | (SH A)    |
|---------------------|------------|-------------|---------------|---------------|----------------|------------------|----------------------------------|------|------------------------------|------|-----------|
|                     |            | MM          | INCH          | MM            | INCH           |                  | MM                               | INCH | MM                           | INCH |           |
| <b>53170600878D</b> | <b>T20</b> | <b>23</b>   | <b>29/32</b>  | <b>20</b>     | <b>25/32</b>   |                  |                                  |      |                              |      | <b>63</b> |
| <b>53170600888D</b> | <b>T30</b> | <b>23</b>   | <b>29/32</b>  | <b>30</b>     | <b>1 3/16</b>  |                  |                                  |      |                              |      | <b>63</b> |
| <b>53170600898D</b> | <b>T40</b> | <b>23</b>   | <b>29/32</b>  | <b>40</b>     | <b>1 37/64</b> |                  |                                  |      |                              |      | <b>63</b> |
| <b>53170600948D</b> | <b>T50</b> | <b>27</b>   | <b>1 1/16</b> | <b>50</b>     | <b>1 31/32</b> |                  |                                  |      |                              |      | <b>63</b> |
| <b>53170600958D</b> | <b>T60</b> | <b>27</b>   | <b>1 1/16</b> | <b>60</b>     | <b>2 23/64</b> |                  |                                  |      |                              |      | <b>63</b> |