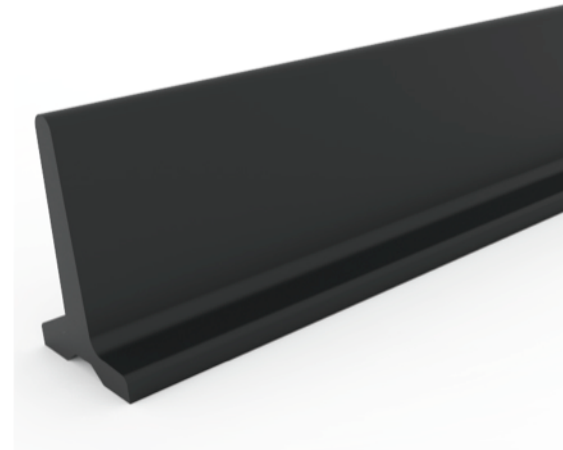
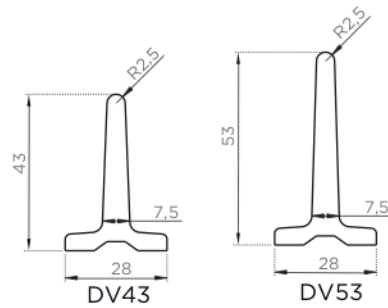




PROFORBELT

DV CLEATS PVC



The Extrudingskill Cleats cross cleats, easily weldable on PVC or PU based belts, to transport products on horizontal, vertical and inclined conveyors. They grant a perfect flexibility and resistance to abrasion and oils.

Material: **PVC**
 Hardness: **SH 63 A**
 Colour: **BLACK**
 Tolerance: **+/- 3 SHA**

CODE	TYPE	CARRIER BASE		CARRIER HEIGHT		CARRIER ANGLE	MIN. PITCH OF CARRIER TRANSV.		MIN. DRUM FLEXING TRANSV.		(SH A)
		MM	INCH	MM	INCH		MM	INCH	MM	INCH	
5303060153AD	DV43	28	1 7/64	43	1 11/16						63
5303060154AD	DV53	28	1 7/64	53	2 3/32						63