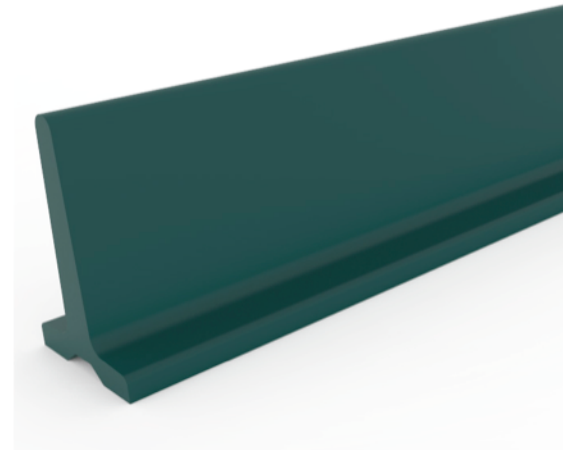
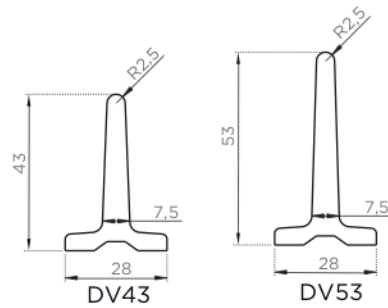




**PROFORBELT**

## DV CLEATS PVC



The Extrudingskill Cleats cross cleats, easily weldable on PVC or PU based belts, to transport products on horizontal, vertical and inclined conveyors. They grant a perfect flexibility and resistance to abrasion and oils.

Material: **PVC**  
 Hardness: **SH 63 A**  
 Colour: **PETROL GREEN**  
 Tolerance: **+/- 3 SHA**

CODE	TYPE	CARRIERBASE		CARRIERHEIGHT		CARRIER ANGLE	MIN. PITCH OF CARRIER TRANSV.		MIN. DRUM FLEXING TRANSV.		(SH A)
		MM	INCH	MM	INCH		MM	INCH	MM	INCH	
<b>53030601539D</b>	<b>DV43</b>	<b>28</b>	<b>1 7/64</b>	<b>43</b>	<b>1 11/16</b>						<b>63</b>
<b>53030601549D</b>	<b>DV53</b>	<b>28</b>	<b>1 7/64</b>	<b>53</b>	<b>2 3/32</b>						<b>63</b>