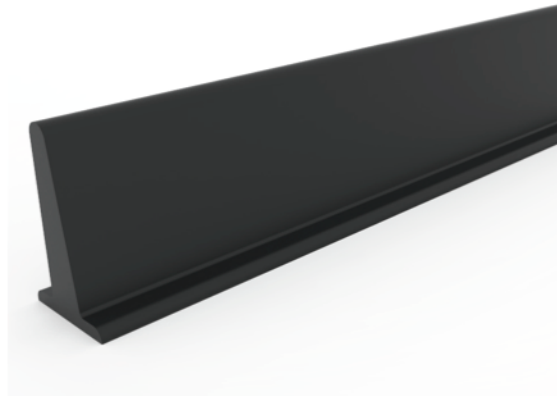
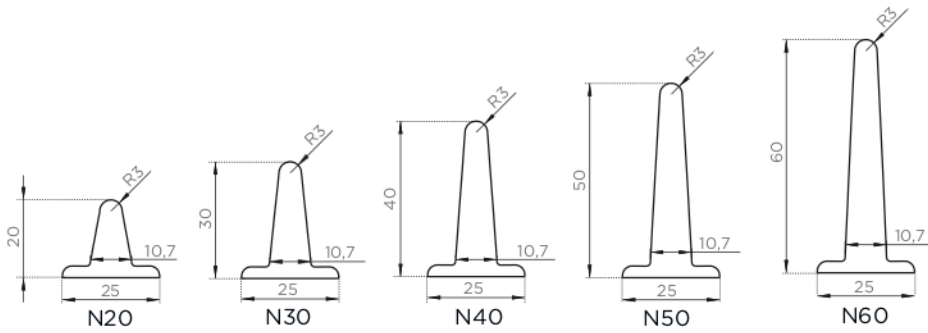




**PROFORBELT**

# N CLEATS PVC



The Extrudingskill Cleats cross cleats, easily weldable on PVC or PU based belts, to transport products on horizontal, vertical and inclined conveyors. They grant a perfect flexibility and resistance to abrasion and oils.

Material: **PVC**  
 Hardness: **SH 63 A**  
 Colour: **BLACK**  
 Tolerance: **+/- 3 SHA**

CODE	TYPE	CARRIER BASE		CARRIER HEIGHT		CARRIER ANGLE	MIN. PITCH OF CARRIER TRANSV.		MIN. DRUM FLEXING TRANSV.		(SH A)
		MM	INCH	MM	INCH		MM	INCH	MM	INCH	
5323030157AD	N20	25	63/64	20	25/32						63
5323030090AD	N30	25	63/64	30	1 3/16						63
5323030145AD	N40	25	63/64	40	1 37/64						63
5323030146AD	N50	25	63/64	50	1 31/32						63
5332030147AD	N60	25	63/64	60	2 23/64						63