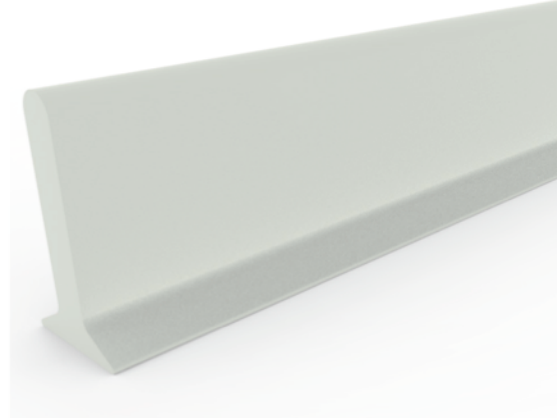
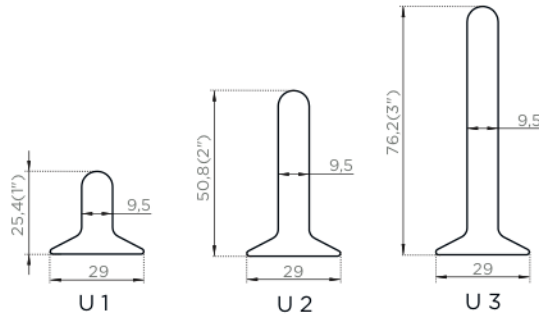




**PROFORBELT**

# U CLEATS PVC FDA



The Extrudingskill Cleats cross cleats, easily weldable on PVC or PU based belts, to transport products on horizontal, vertical and inclined conveyors. They grant a perfect flexibility and resistance to abrasion and oils.

Material:  
Hardness:  
Colour:  
Tolerance:

**PVC FDA**  
**SH 63 A**  
**WHITE**  
**+/- 3 SHA**



CODE	TYPE	CARRIERBASE		CARRIERHEIGHT		CARRIER ANGLE	MIN. PITCH OF CARRIER TRANSV.		MIN. DRUM FLEXING TRANSV.		(SH A)
		MM	INCH	MM	INCH		MM	INCH	MM	INCH	
54210301643D	U1	29	1 9/64	25,4	1						63
54210301653D	U2	29	1 9/64	50,8	2						63
54210301663D	U3	29	1 9/64	76,2	3						63