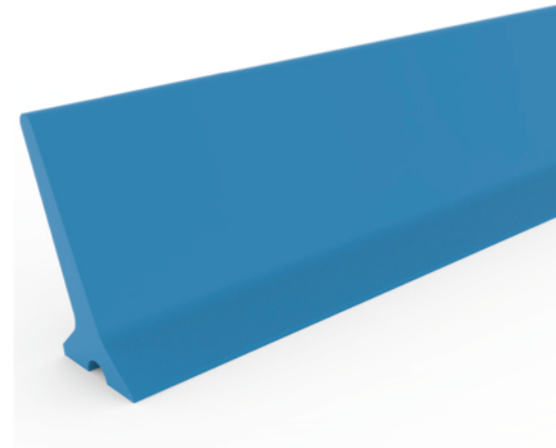
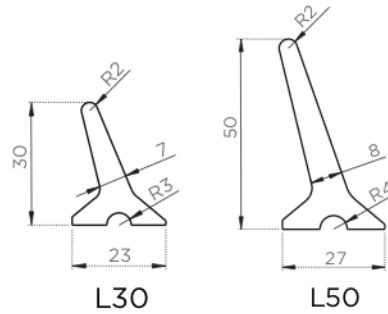




**PROFORBELT**

# L CLEATS PVC FDA



The Extrudingskill Cleats cross cleats, easily weldable on PVC or PU based belts, to transport products on horizontal, vertical and inclined conveyors. They grant a perfect flexibility and resistance to abrasion and oils.

Material: **PVC FDA**  
 Hardness: **SH 63 A**  
 Colour: **BLUE**  
 Tolerance: **+/- 3 SHA**



CODE	TYPE	CARRIERBASE		CARRIERHEIGHT		CARRIER ANGLE	MIN. PITCH OF CARRIER TRANSV.		MIN. DRUM FLEXING TRANSV.		(SH A)
		MM	INCH	MM	INCH		MM	INCH	MM	INCH	
54080600884D	L30	23	29/32	30	1 3/16						63
54080600944D	L50	27	1 1/16	50	1 31/32						63