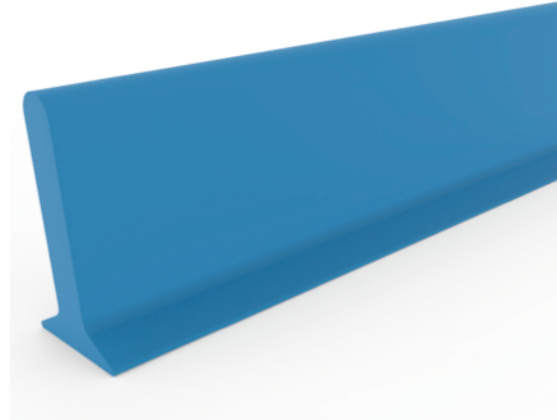
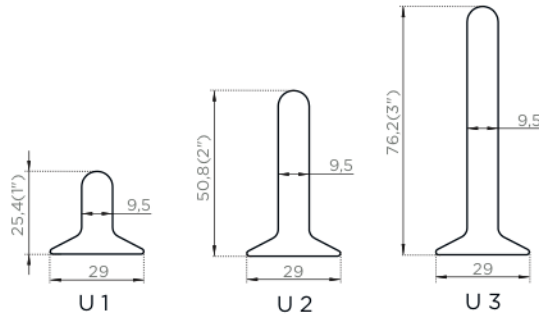




**PROFORBELT**

# U CLEATS PVC FDA



The Extrudingskill Cleats cross cleats, easily weldable on PVC or PU based belts, to transport products on horizontal, vertical and inclined conveyors. They grant a perfect flexibility and resistance to abrasion and oils.

Material: **PVC FDA**  
 Hardness: **SH 63 A**  
 Colour: **BLUE**  
 Tolerance: **+/- 3 SHA**



CODE	TYPE	CARRIERBASE		CARRIERHEIGHT		CARRIER ANGLE	MIN. PITCH OF CARRIER TRANSV.		MIN. DRUM FLEXING TRANSV.		(SH A)
		MM	INCH	MM	INCH		MM	INCH	MM	INCH	
<b>54210301644D</b>	<b>U1</b>	<b>29</b>	<b>1 9/64</b>	<b>25,4</b>	<b>1</b>						<b>63</b>
<b>54210301654D</b>	<b>U2</b>	<b>29</b>	<b>1 9/64</b>	<b>50,8</b>	<b>2</b>						<b>63</b>
<b>54210301664D</b>	<b>U3</b>	<b>29</b>	<b>1 9/64</b>	<b>76,2</b>	<b>3</b>						<b>63</b>