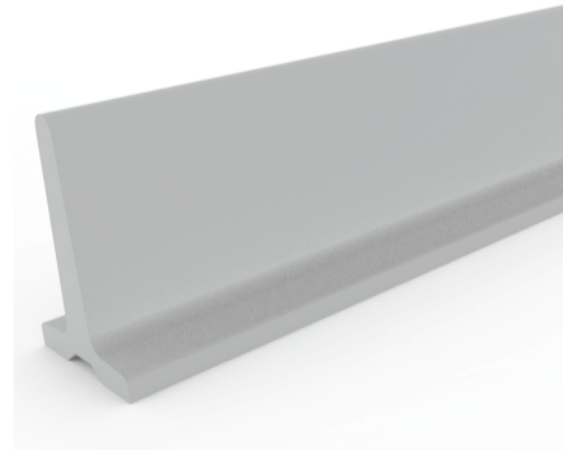
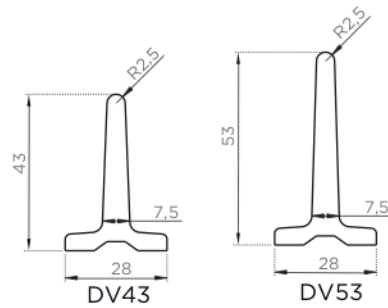




**PROFORBELT**

# DV CLEATS PVC FDA



The Extrudingskill Cleats cross cleats, easily weldable on PVC or PU based belts, to transport products on horizontal, vertical and inclined conveyors. They grant a perfect flexibility and resistance to abrasion and oils.

Material: **PVC FDA**  
 Hardness: **SH 63 A**  
 Colour: **WHITE**  
 Tolerance: **+/- 3 SHA**



CODE	TYPE	CARRIERBASE		CARRIERHEIGHT		CARRIER ANGLE	MIN. PITCH OF CARRIER TRANSV.		MIN. DRUM FLEXING TRANSV.		(SH A)
		MM	INCH	MM	INCH		MM	INCH	MM	INCH	
54030601533D	DV43	28	1 7/64	43	1 11/16						63
54030601543D	DV53	28	1 7/64	53	2 3/32						63