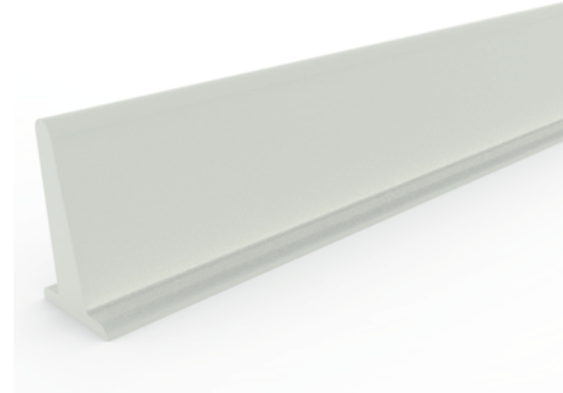
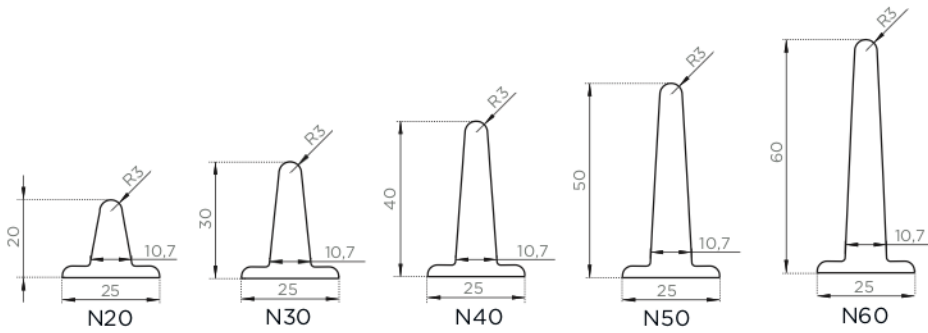




**PROFORBELT**

# N CLEATS PVC FDA



The Extrudingskill Cleats cross cleats, easily weldable on PVC or PU based belts, to transport products on horizontal, vertical and inclined conveyors. They grant a perfect flexibility and resistance to abrasion and oils.

Material: **PVC FDA**  
 Hardness: **SH 63 A**  
 Colour: **WHITE**  
 Tolerance: **+/- 3 SHA**



CODE	TYPE	CARRIER BASE		CARRIER HEIGHT		CARRIER ANGLE	MIN. PITCH OF CARRIER TRANSV.		MIN. DRUM FLEXING TRANSV.		(SH A)
		MM	INCH	MM	INCH		MM	INCH	MM	INCH	
54230301573D	N20	25	63/64	20	25/32						63
54230300903D	N30	25	63/64	30	1 3/16						63
54230301453D	N40	25	63/64	40	1 37/64						63
54230301463D	N50	25	63/64	50	1 31/32						63
54320301473D	N60	25	63/64	60	2 23/64						63