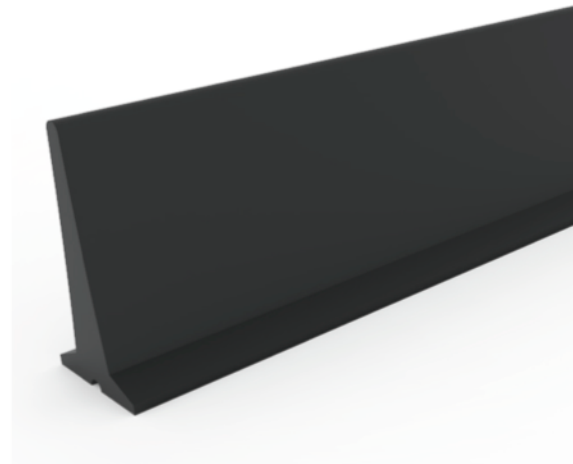
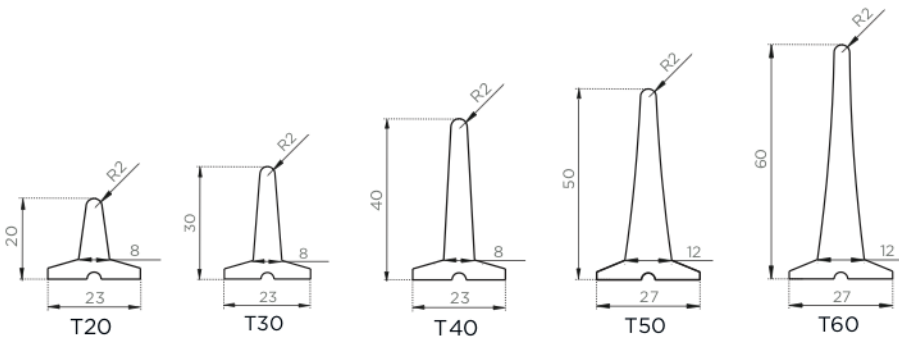




PROFORBELT

T CLEATS PVC



The Extrudingskill Cleats cross cleats, easily weldable on PVC or PU based belts, to transport products on horizontal, vertical and inclined conveyors. They grant a perfect flexibility and resistance to abrasion and oils.

Material: **PVC**
 Hardness: **SH 63 A**
 Colour: **BLACK**
 Tolerance: **+/- 3 SHA**

CODE	TYPE	CARRIERBASE		CARRIERHEIGHT		CARRIER ANGLE	MIN. PITCH OF CARRIER TRANSV.		MIN. DRUM FLEXING TRANSV.		(SH A)
		MM	INCH	MM	INCH		MM	INCH	MM	INCH	
5317060087AD	T20	23	29/32	20	25/32						63
5317060088AD	T30	23	29/32	30	1 3/16						63
5317060089AD	T40	23	29/32	40	1 37/64						63
5317060094AD	T50	27	1 1/16	50	1 31/32						63
5317060095AD	T60	27	1 1/16	60	2 23/64						63