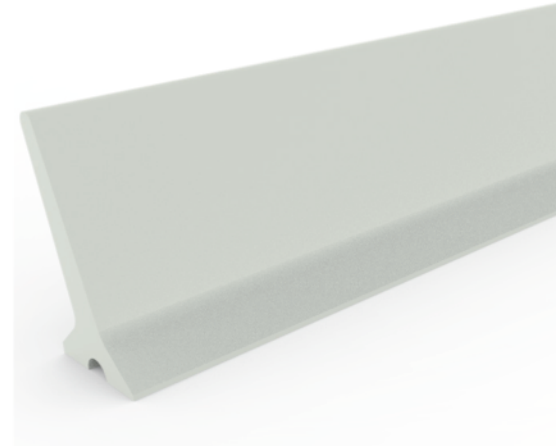
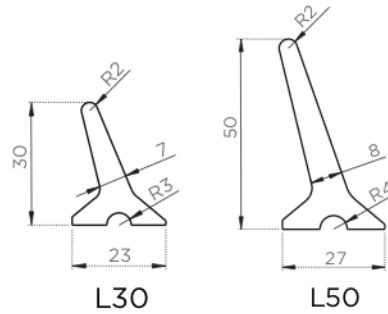




**PROFORBELT**

# L CLEATS PVC FDA



The Extrudingskill Cleats cross cleats, easily weldable on PVC or PU based belts, to transport products on horizontal, vertical and inclined conveyors. They grant a perfect flexibility and resistance to abrasion and oils.

Material: **PVC FDA**  
 Hardness: **SH 63 A**  
 Colour: **WHITE**  
 Tolerance: **+/- 3 SHA**



CODE	TYPE	CARRIERBASE		CARRIERHEIGHT		CARRIER ANGLE	MIN. PITCH OF CARRIER TRANSV.		MIN. DRUM FLEXING TRANSV.		(SHA)
		MM	INCH	MM	INCH		MM	INCH	MM	INCH	
<b>54080600883D</b>	<b>L30</b>	<b>23</b>	<b>29/32</b>	<b>30</b>	<b>1 3/16</b>						<b>63</b>
<b>54080600943D</b>	<b>L50</b>	<b>27</b>	<b>1 1/16</b>	<b>50</b>	<b>1 31/32</b>						<b>63</b>